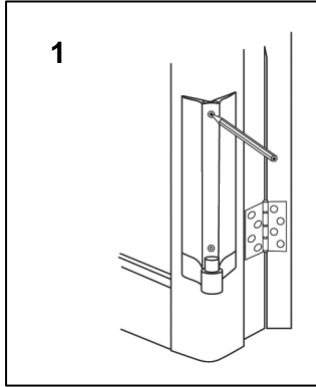
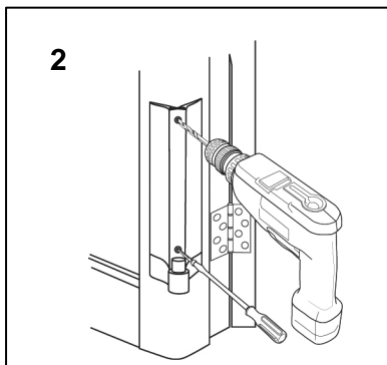


**For product reference prefix: FRO**

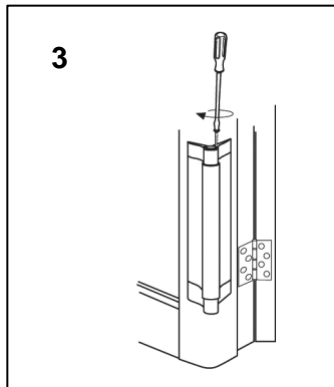
Intastop Ltd can take no responsibility for incorrect operation of Door Frame Guards that are not fitted as per directed in these instructions.



- Unscrew & withdraw the screw from the top of the Frame Guard
- Lift the roller from the product exposing concealed fittings
- Position the main body on the corner/frame and mark through holes onto the wall



- Drill the holes
- Screw the main body firmly into place



- Refit the roller.
- Refit the screw
- **OPTIONAL FOR HEAVY DUTY AREAS – Drill one countersunk hole in each side of the legs of the top and bottom (4 holes total) and screw fix to frame.**

**FIXING INSTRUCTION**