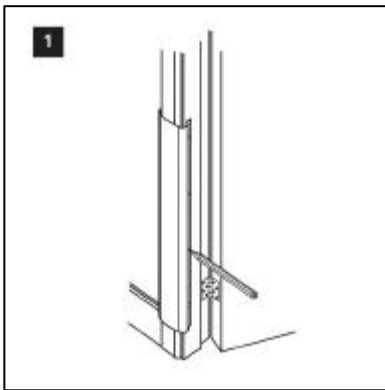
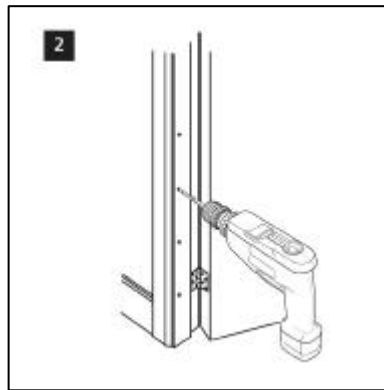


**For product reference prefix: FRI**

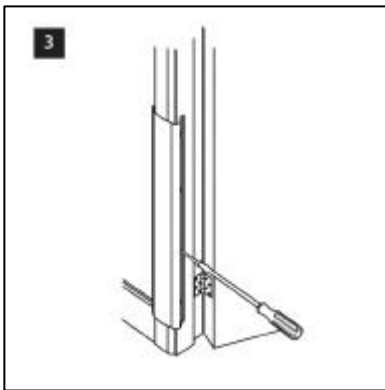
Intastop Ltd can take no responsibility for incorrect operation of Door Frame Guards that are not fitted as per directed in these instructions.



- Locate Rigid Frame Protector on outside edge of frame in desired position
- Mark fixing holes onto frame



- Drill pilot holes onto door frame



- Screw the rigid frame protector into place

# FIXING INSTRUCTION

In case of technical queries please contact:

Intastop Ltd, Holly House, Kelham St. Ind.  
Est, Doncaster, South Yorkshire DN1 3QZ  
Tel :01302 364666 Fax: 01302 364777  
E-mail: [technical@intastop.com](mailto:technical@intastop.com)  
Internet: [www.intastop.com](http://www.intastop.com)