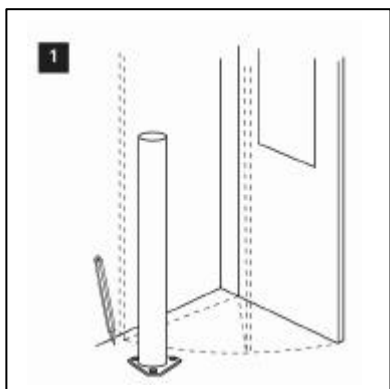
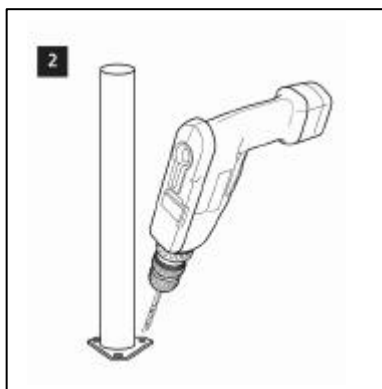


**Product Code reference prefix: BSC**

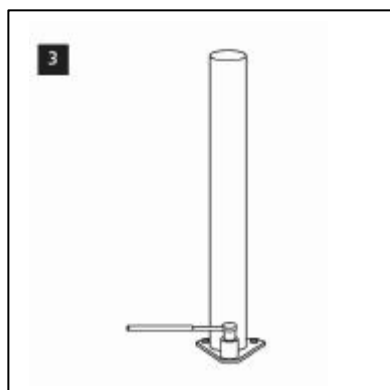
Intastop Ltd can take no responsibility for incorrect operation of Bollards that are not fitted as per directed in these instructions.



- Mark off position of door as it opens, and mark a suitable position for the bollard



- Drill holes for the base plate



- Fix the base plate into the holes using the rawl bolts provided

**FIXING INSTRUCTION**